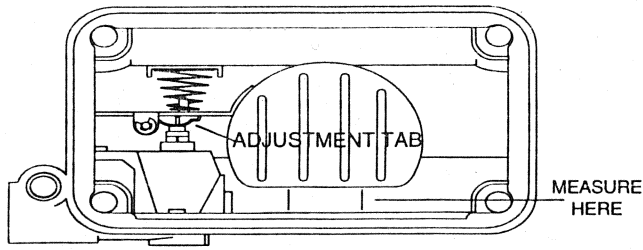


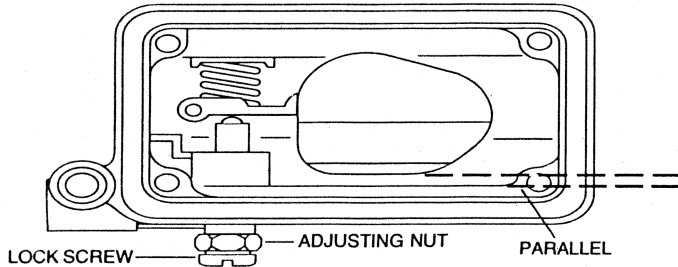
FIG. 1. DRY FLOAT LEVEL ADJUSTMENT

CAUTION: DO NOT EXERT PRESSURE ON RESILIENT NEEDLE VALVE.



WITH FLOAT BOWL INVERTED, MEASURE DISTANCE BETWEEN SURFACE OF FLOAT BOWL AND FLOAT.

FIG. 2. DRY FLOAT LEVEL ADJUSTMENT



WITH FLOAT BOWL INVERTED, TURN NEEDLE SEAT ASSEMBLY UNTIL FLOAT IS PARALLEL WITH SURFACE DIRECTLY BELOW FLOAT. TIGHTEN LOCK SCREW.

FIG. 3. PUMP ADJUSTMENT

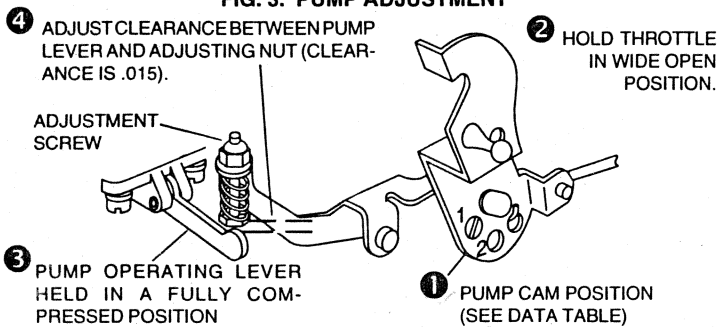
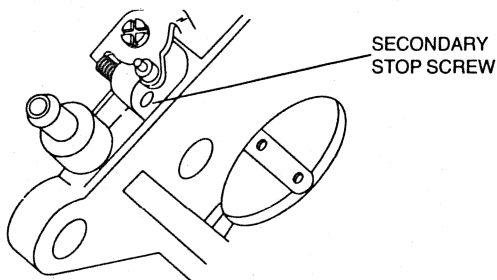


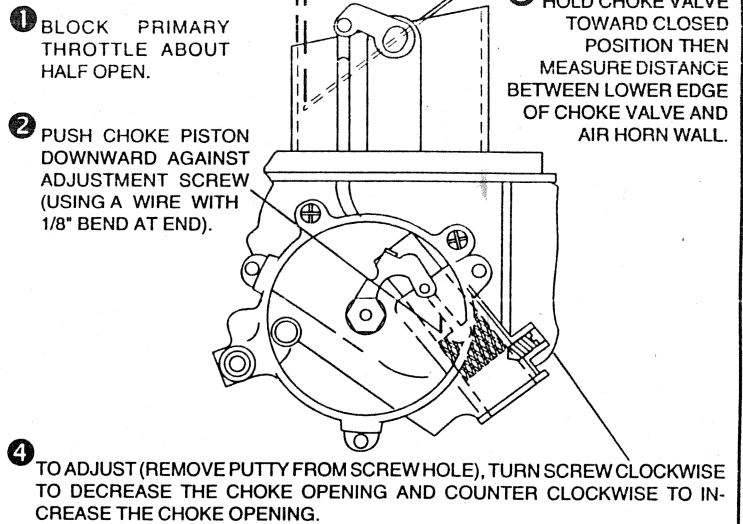
FIG. 4. SECONDARY THROTTLE STOP ADJUSTMENT



BACK OUT SECONDARY THROTTLE STOP SCREW UNTIL SECONDARY PLATES ARE CLOSED. TURN SCREW IN UNTIL IT CONTACTS STOP, THEN TURN SCREW IN 1/2 TURN MORE.

FIG. 4. CHOKE PLATE PULLDOWN ADJUSTMENT

CLEARANCE .140"



TO ADJUST (REMOVE PUTTY FROM SCREW HOLE), TURN SCREW CLOCKWISE TO DECREASE THE CHOKE OPENING AND COUNTER CLOCKWISE TO INCREASE THE CHOKE OPENING.

FIG. 5. UNLOADER ADJUSTMENT

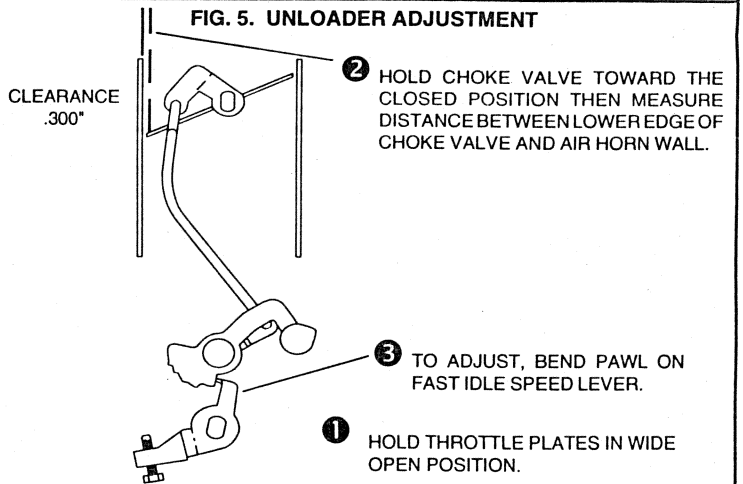
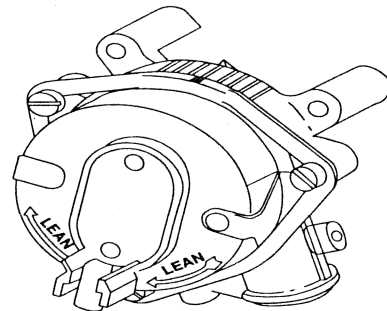


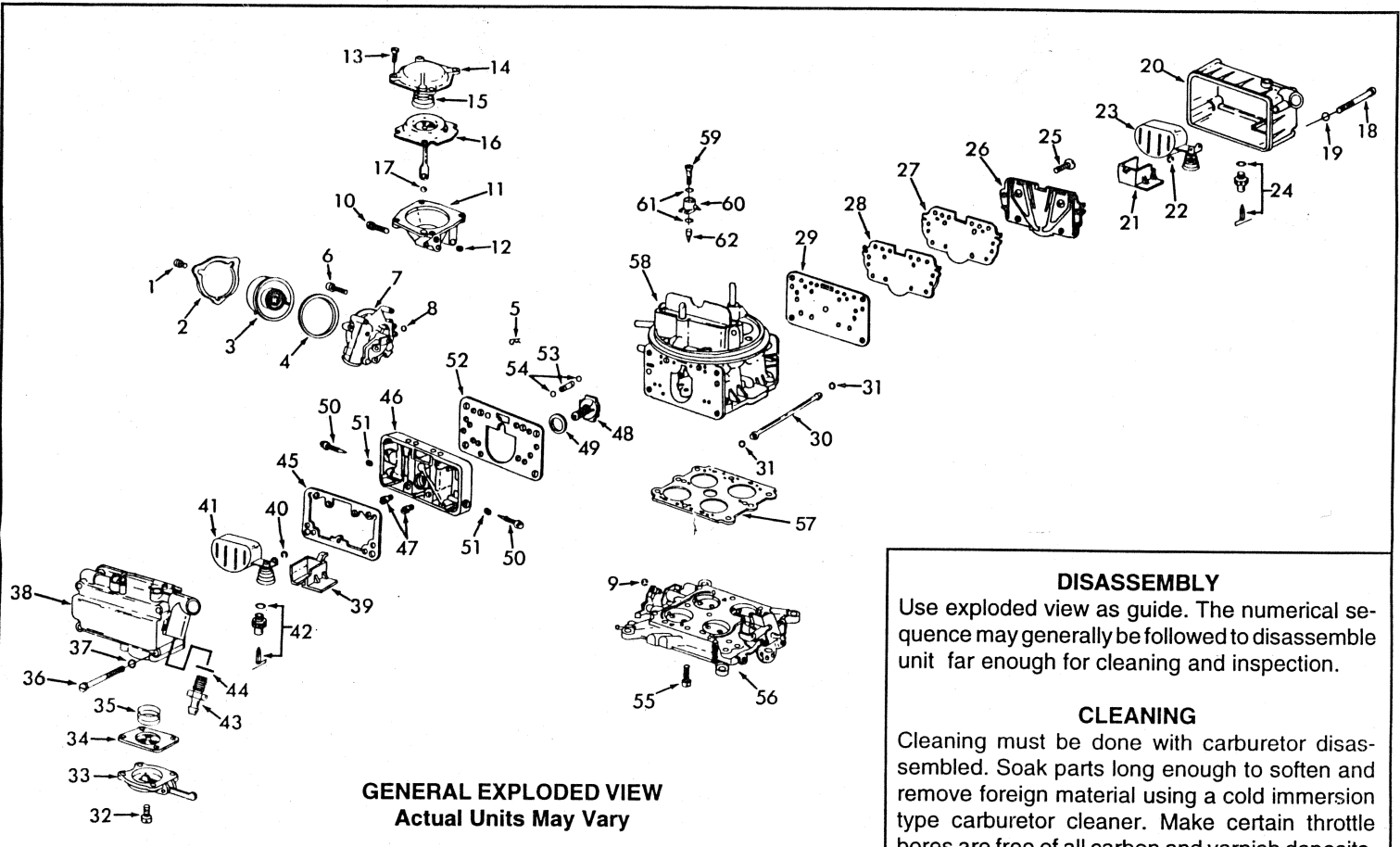
FIG. 6. AUTOMATIC CHOKE SETTING



ALIGN MARK ON STAT COIL WITH PROPER INDEX MARK ON CHOKE HOUSING (SEE DATA TABLE FOR SETTING).

ADJUSTMENT DATA TABLE

Ford Tag No.	Holley List No.	Float Settings Pri.	Float Settings Sec.	Pump Cam Pos.	Choke Cap Setting	Ford Tag No.	Holley List No.	Float Settings Pri.	Float Settings Sec.	Pump Cam Pos.	Choke Cap Setting
C9FF-9510-D	4473	Fig. 2	Fig. 2	#1	Index	E6JL-9510-HA	50418A	5/8"	3/4"	#2	Index
C9FF-9510-E	4608	Fig. 2	Fig. 2	#2	Index	E6JL-9510-JA	50419A	1/2"	5/8"	#1	Index
D1FF-9510-MA	6151	Fig. 2	Fig. 2	#2	Index	E6JL-9510-JB	50419-1A	1/2"	5/8"	#2	2NR
D1FF-9510-NA	6152	Fig. 2	Fig. 2	#2	Index	E8JL-9510-BA	50462A	1/2"	5/8"	#2	Index
D2JL-9510-C	6407	Fig. 2	Fig. 2	#2	3NL	E8JL-9510-CA	50463A	1/2"	5/8"	#2	2NR
D2JL-9510-E	6576	Fig. 2	Fig. 2	#1	3NL	E8JL-9510-DA	50464A	1/2"	5/8"	#1	1NR
D4JL-9510-F	7159	1/2"	5/8"	#2	Index	E9JL-9510-CA	50468A	5/8"	3/4"	#2	Index
D4JL-9510-G	7163	1/2"	5/8"	#1	Index	E9JL-9510-DA	50469A	1/2"	5/8"	#1	2NR
D4JL-9510-J	7128	1/2"	5/8"	#2	Index	E9JL-9510-EA	50470A	1/2"	5/8"	#1	1NR
E0JL-9510-BA	9393	5/8"	3/4"	#2	Index	F1JL-9510-BA	50468-1A	5/8"	3/4"	#2	Index
E0JL-9510-CA	9392	1/2"	5/8"	#1	Index	F1JL-9510-CA	50469-1A	1/2"	5/8"	#1	2NR
E6JL-9510-FB	50399A	1/2"	5/8"	#2	Index						



GENERAL EXPLODED VIEW
Actual Units May Vary

NOMENCLATURE

- | | |
|--|--|
| <ol style="list-style-type: none"> 1. Screw, Retainer (3) 2. Retainer, Choke Cover 3. Choke Cover Assembly 4. Gasket, Choke Cover 5. Retainer, Choke Rod 6. Screw & Lockwasher, Choke Hsg (3) 7. Choke Housing Assembly 8. Gasket, Choke Housing 9. Retainer, Secondary Diaphragm Link 10. Screw & Lockwasher, Secondary Diaphragm Assembly (3) 11. Secondary Diaphragm Housing Assy. 12. Gasket, Secondary Diaphragm Hous'g 13. Screw & Lockwasher, Secondary Diaphragm Cover (4) 14. Cover, Secondary Diaphragm 15. Spring, Secondary Diaphragm 16. Diaphragm, Secondary 17. Ball, Secondary Vacuum Check 18. Screw, Secondary Float Bowl (4) 19. Gasket, Secondary Bowl Screw (4) 20. Bowl, Secondary Fuel 21. Baffle, Secondary Fuel 22. Retainer, Float 23. Float & Spring Assembly, Secondary 24. Needle & Seat Assembly, Secondary 25. Screw, Secondary Metering Body (6) 26. Metering Body, Secondary 27. Gasket, Metering Body 28. Plate, Metering Body 29. Gasket, Fuel Bowl & Metering Body 30. Tube, Fuel Line | <ol style="list-style-type: none"> 31. O-ring, Fuel Line Tube (2) 32. Screw & Lockwasher, Pump Cover (4) 33. Cover Assembly, Pump Diaphragm 34. Pump Diaphragm Assembly 35. Spring, Pump Diaphragm 36. Screw, Primary Fuel Bowl (4) 37. Gasket, Primary Bowl Screw (4) 38. Bowl, Primary Fuel 39. Baffle, Primary Fuel 40. Retainer, Float 41. Float & Spring Assembly, Primary 42. Needle & Seat Assembly, Primary 43. Fitting, Fuel Inlet 44. Gasket, Fitting 45. Gasket, Primary Fuel Bowl 46. Metering Body, Primary 47. Jets, Main (2) 48. Valve, Primary Enrichment 49. Gasket, Primary Enrichment Valve 50. Needle, Idle Adjusting (2) 51. Seal, Idle Adjusting Needle (2) 52. Gasket, Primary Metering Body 53. Tube, Pump Passage 54. O-ring, Tube (2) 55. Screw & Lockwasher, Throttle Body (6) 56. Throttle Body Assembly 57. Gasket, Throttle Body 58. Main Body Assembly 59. Screw, Pump Nozzle 60. Nozzle, Pump Discharge 61. Gasket, Pump Nozzle (2) 62. Needle, Pump Discharge Check |
|--|--|

DISASSEMBLY

Use exploded view as guide. The numerical sequence may generally be followed to disassemble unit far enough for cleaning and inspection.

CLEANING

Cleaning must be done with carburetor disassembled. Soak parts long enough to soften and remove foreign material using a cold immersion type carburetor cleaner. Make certain throttle bores are free of all carbon and varnish deposits. Rinse off in suitable solvent. Blow out all passages in castings with compressed air and check carefully to ensure thorough cleaning of obscure areas.

CAUTION: Do not soak assemblies with attached plastic parts for a long period of time. Do not soak any parts containing rubber, floats or diaphragm assemblies.

REASSEMBLY

Reassemble in reverse order of disassembly. Note special instructions and follow numerical outline in making adjustments necessary for carburetor being serviced.

SPECIAL INSTRUCTIONS

Primary idle adjusting needle (50): Turn in until lightly seated, then back 1 1/4 turn.
Screws listed below must be tightened in three stages crosswise to arrive at the correct torque.
Throttle body gasket (57): Be sure holes are properly matched to throttle body. Torque throttle body screws to 50 inch lbs.
Enrichment valve (48): Install with gasket and torque to 100 inch lbs.
Primary and secondary fuel bowls (38, 20): Before installing, make dry float level adjustment.
Bowl screw installation (36, 18): Install gaskets (37, 19) on screws before installing, then torque evenly in stages to 40 inch lbs.
Fuel line tube (30): Install o-rings (31) on the extreme ends of the tube. They will roll on the tube when installing the fuel bowls.
O-rings: Lubricate lightly before installing.